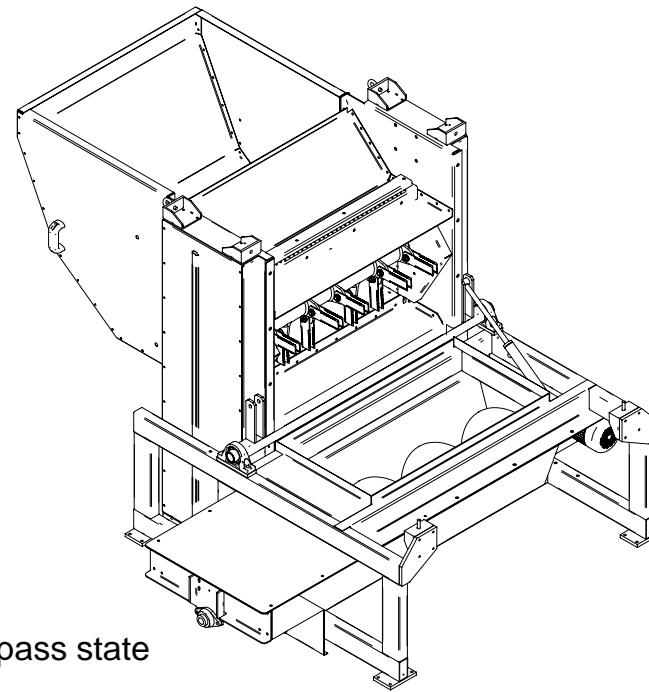
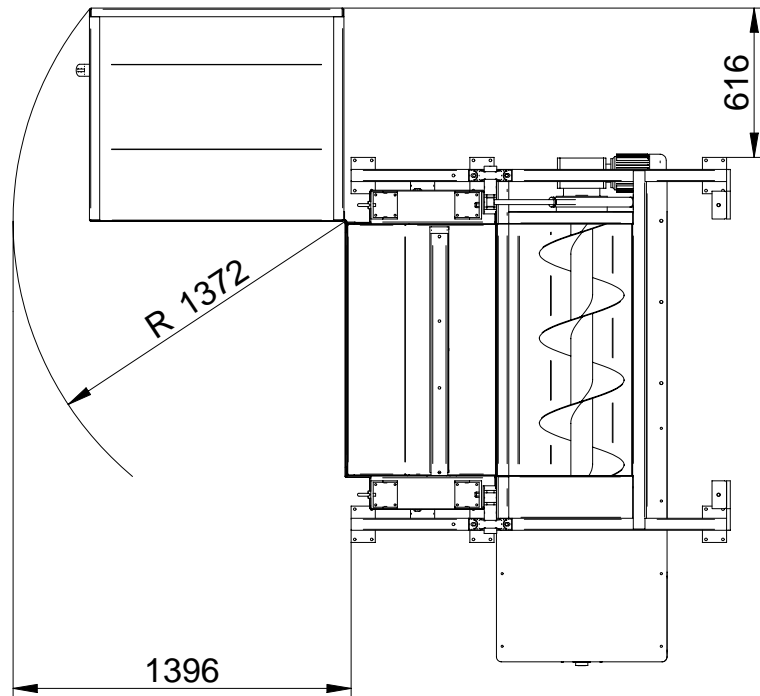


Opening from working state to by-pass state



TR5 medium operating dimensions



Opening from by-pass state to maintenance state

